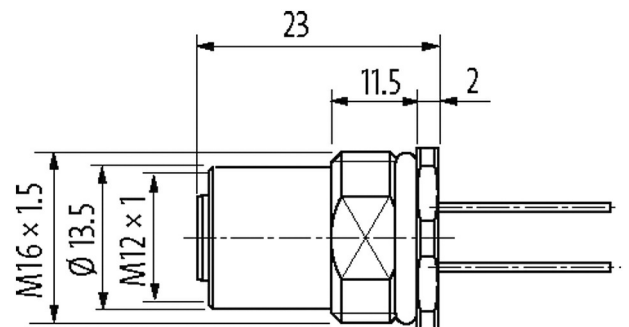
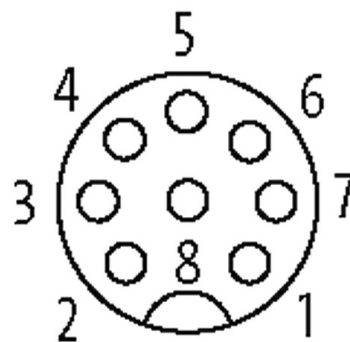


M12 FEMALE FLANGE PLUG A CODED REAR MOUNT

PP-wires 8x0,25 0.2m

Flange female
M12, 8-pole
Rear mounting
with multi-strand wire**Illustration**

Female



Product may differ from Image

Approvals

**Form**

Form 17185

Cables

Cable number	973
No./diameter of wires	8 x 0.25 mm ²
Wire isolation	PUR (wh, br, gn, ye, gr, pk, bl, rd)
Outer Ø	1.25 mm ±5%
Bend radius (fixed)	10 x outer Ø
Temperature range (fixed)	-40...+90 °C
Temperature range (mobile)	-25...+90 °C

Technical Data

Operating voltage	max. 30 V AC/DC
Rated surge voltage	0.8 kV
Operating current per contact	max. 2 A
No. of poles	8
Material group	IEC 60664-1, category I
Coding	A-coded
LED display	no
Locking of ports	Screw thread (M12x1 mm) recommended torque 0.6 Nm, self-securing
Compression gland	M12 (SW14)
Protection	IP67 inserted and tightened (EN 60529)
Protection NEMA	3, 4, 6P (UL 50E)
Locking material	Brass, nickel plated

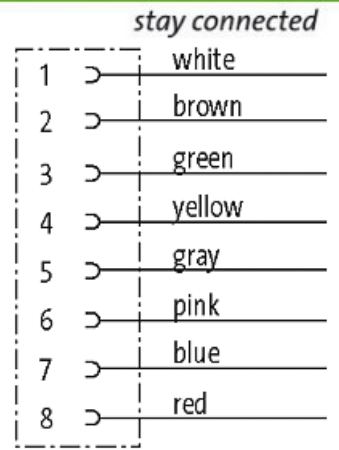
General data

Pollution Degree	3
Temperature range	-25...+85 °C

Commercial data

country of origin	DE
customs tariff number	85444290
EAN	4048879331609
eClass	27279220
Packaging unit	1

Sketch



Product may differ from Image